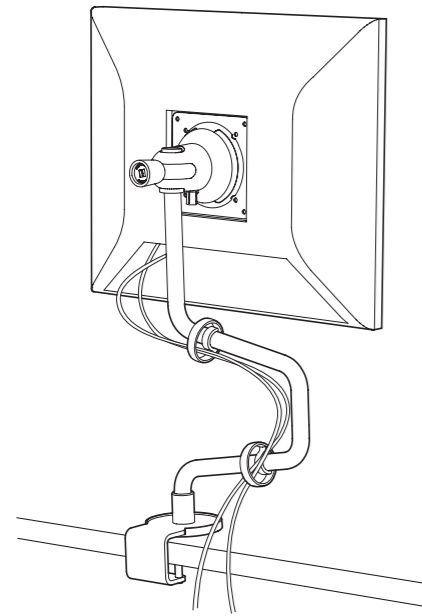


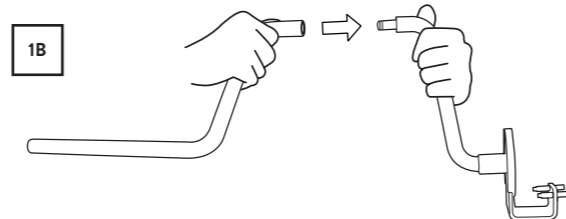
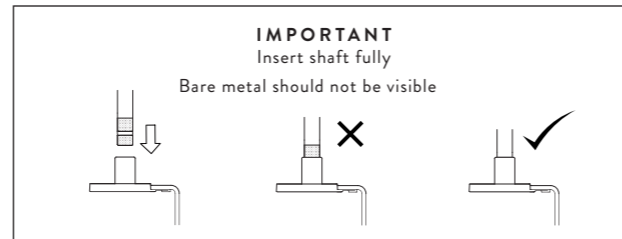
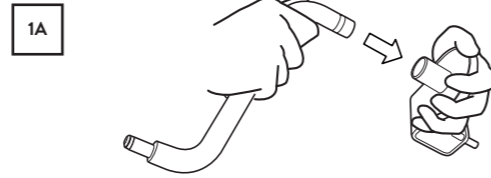
rodney



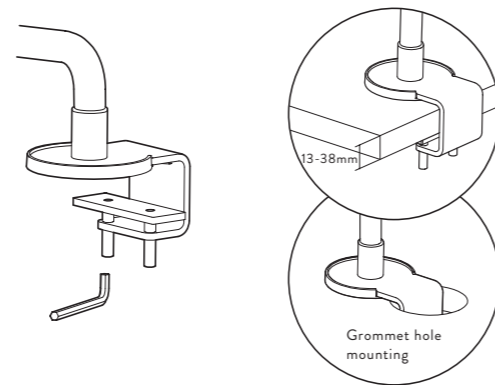
**RODNEY  
DESK CLAMP INSTRUCTIONS**

SUN-001-INST-F-FEB2013

**MOUNT ARMS ON TO DESK CLAMP**

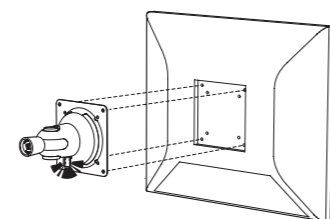


**MOUNT TO DESK**



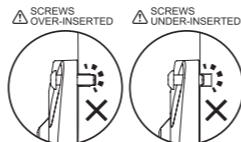
**MOUNT MONITOR HEAD**

Use screws supplied

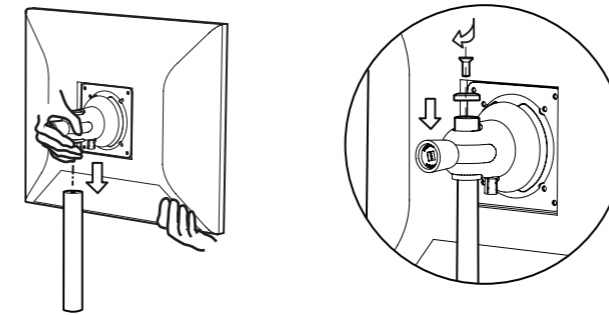


Adjustment knob point downwards

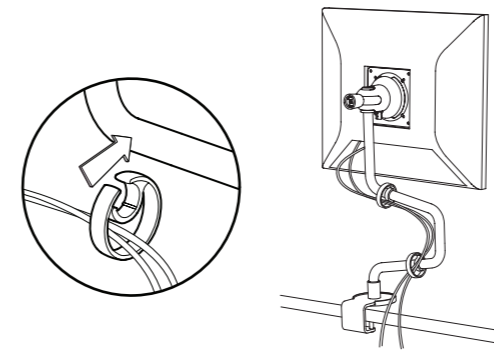
**IMPORTANT**  
It is the responsibility of the installer to ensure all mounting screws are properly engaged with a minimum of 4 x 360° turns into the display. Under or over insertion may cause damage to the equipment or injury to personnel



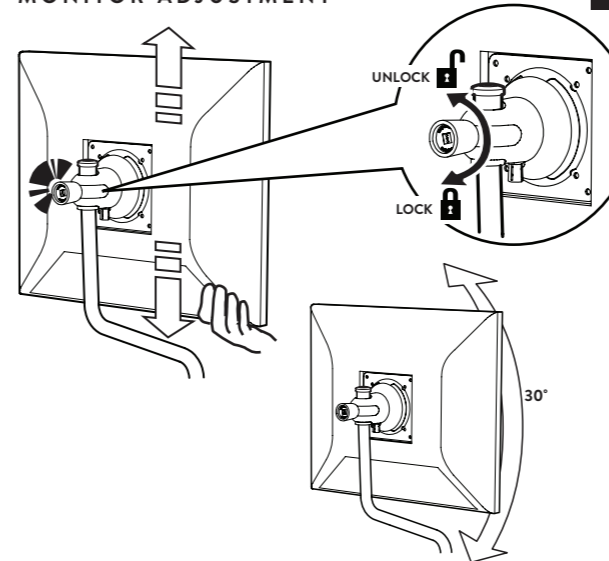
**LOADING MONITOR AND SECURING TOP CAP**



**CABLE MANAGEMENT**

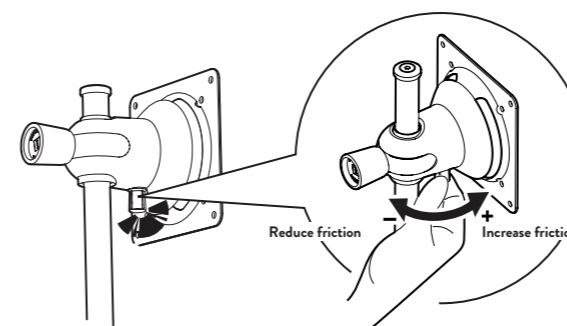


**MONITOR ADJUSTMENT**

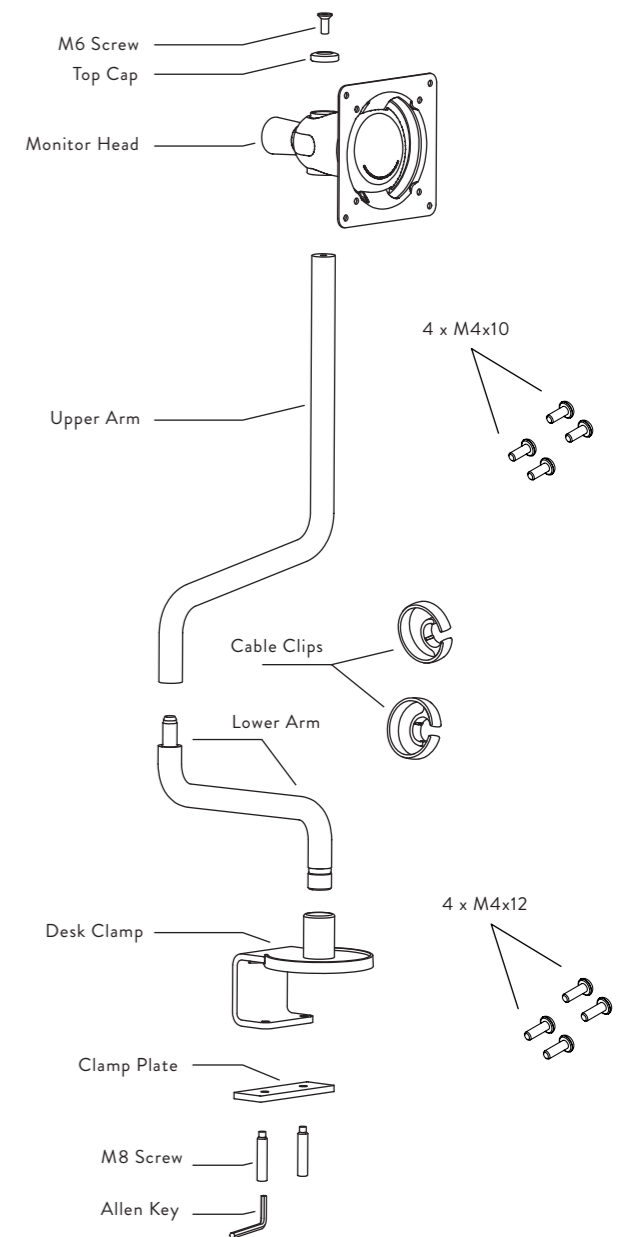


**IF MONITOR DOES NOT BALANCE**

To adjust friction of tilt, if required



**COMPONENT LIST**



**WARNING**

- Ensure desk / work surface / wall / partition is suitable to take the weight of the arm/s and monitors.
- Do not use this product for any purpose other than that for which it was designed.
- Supported weight must not exceed 8.5kg (18.7lb) per arm.
- Hold the monitor tightly when making adjustments.
- Care should be taken to avoid trapping fingers.
- Do not dismantle or remodel the arms.
- Do not attach the monitor before assembling the arm.
- Some monitors have recesses and may require spacers or a 75mm VESA plate.

**MAINTENANCE AND INSPECTION**

- Ensure all screws are tightened and occasionally re-tighten if needed.

**DISCLAIMERS**

- The use of power tools, lever bars or excessive force during the installation, or re-configuration of the product will invalidate your guarantee.
- Failure to observe the recommendations in the use, and configuration of these products may affect your guarantee.

**PATENT AND DESIGN REGISTRATION**  
This product is protected by one or more GB and International patents pending: GB2438581, GB0705479.4, GB0725381.8 and WO07/137905 and by Registered Community Design No. 000694732-0001-0005. Other foreign design registrations pending

